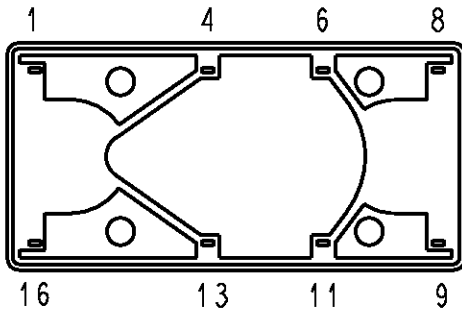
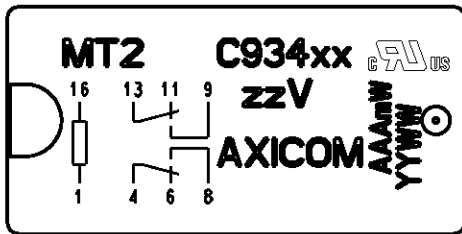
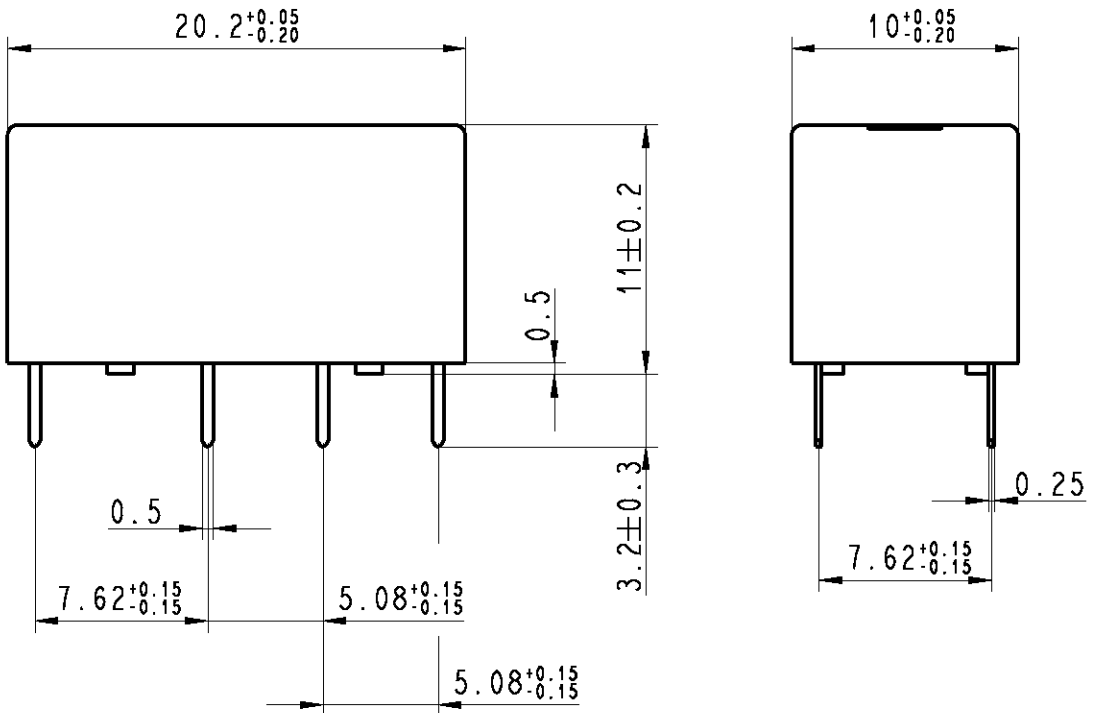


LOC	DIST	REVISIONS					
HJ	-	P	LTR	DESCRIPTION	DATE	DWN	APVD
		A6		REVISED PER ECO-11-005150	25MAR11	RK	HMR



Relay - bottom view



xx = Relay type
 zz = nominal voltage
 AAA = power
 YYWW = Date code

DRAWING ALIAS C93400-599-Dok03

RELEASED FOR PUBLICATION

ALL RIGHTS RESERVED.

THIS DRAWING IS UNPUBLISHED.

COPYRIGHT BY -

DIMENSIONS: mm	DWN	28Jun2004	MATERIAL	FINISH
	CHK	28Jun2004		
TOLERANCES UNLESS OTHERWISE SPECIFIED: DIN 7168-m	APVD	28Jun2004		
	HD			
0 PLC ±-	PRODUCT SPEC		NAME	
1 PLC ±			MT2-Relay	
2 PLC ±			Dimensions	
3 PLC ±	APPLICATION SPEC		SIZE	CAGE CODE
4 PLC ±			A4	00779
ANGLES ±			DRAWING NO	RESTRICTED TO
	WEIGHT		C-1462000-2	-
	CUSTOMER DRAWING		SCALE	SHEET
			3:1	1 OF 1
				REV
				A6

